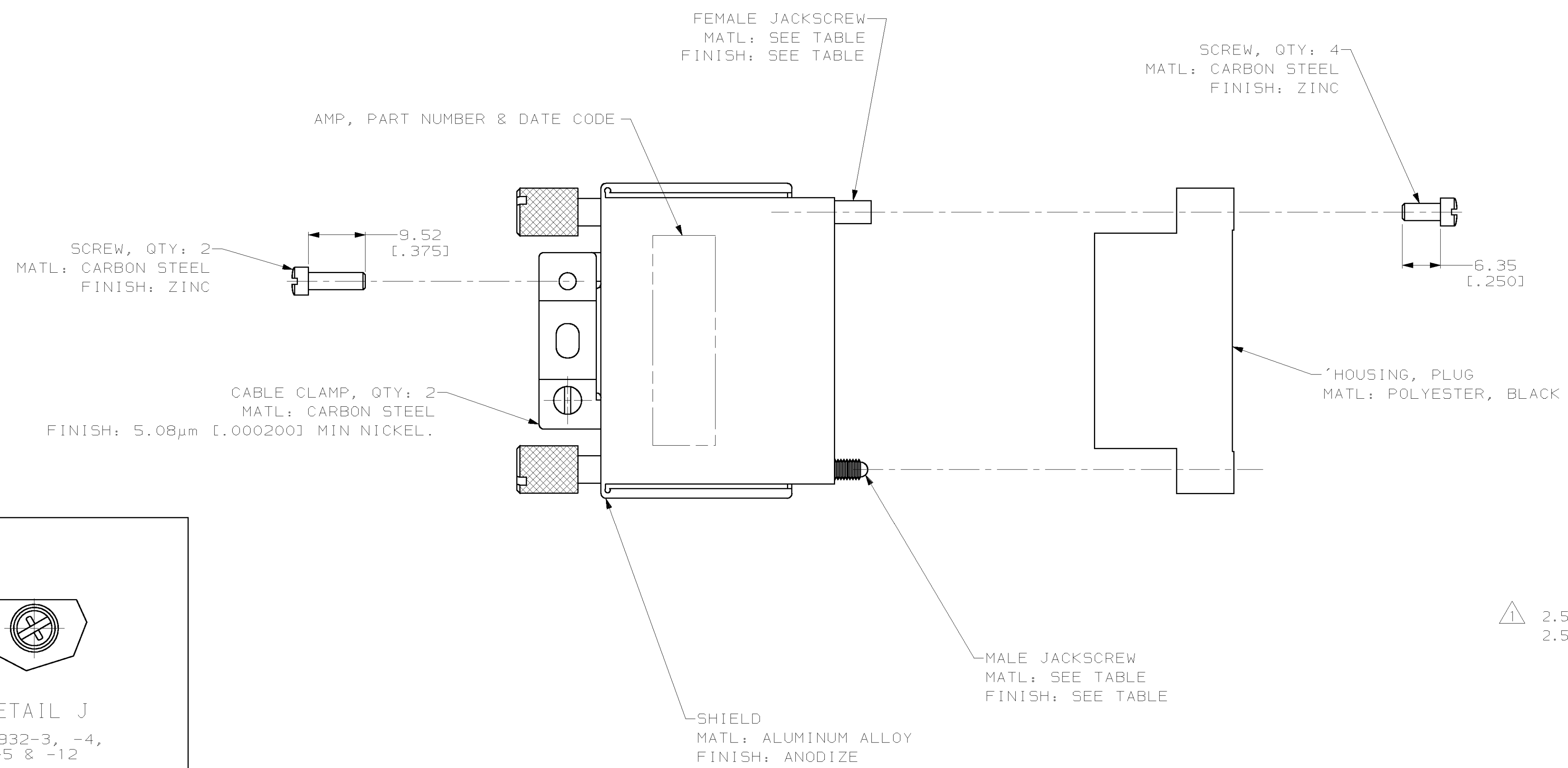
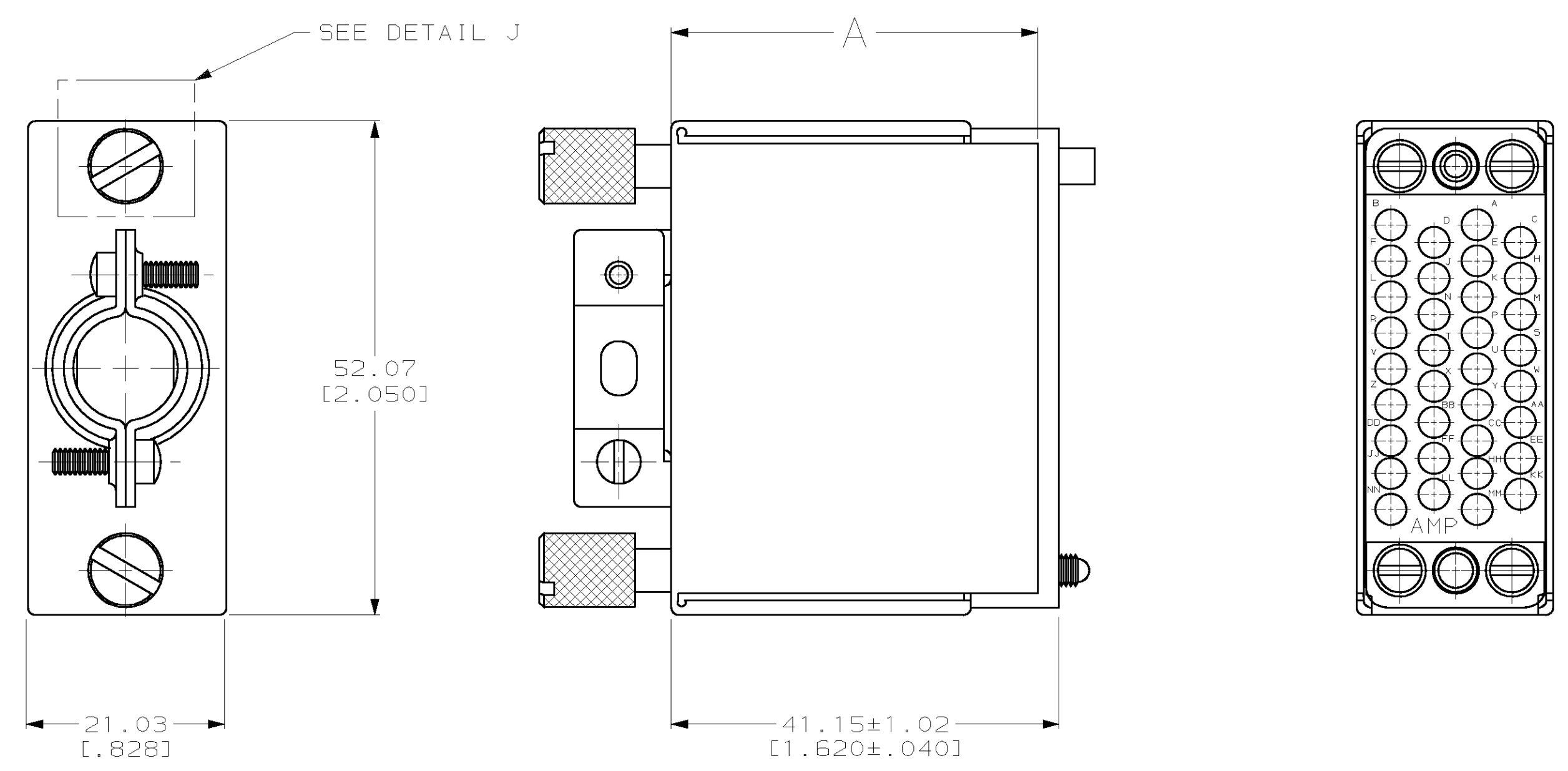
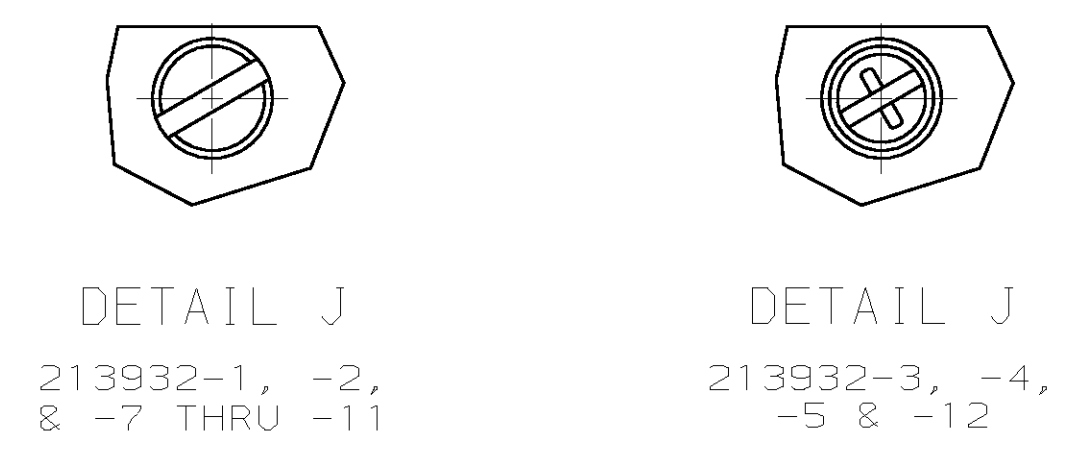


LOC	DIST	REVISIONS				
FT	8	REV	DESCRIPTION	DATE	BY	APPV
		0	RLSE -1 PER NPR 5450 WAS 95-7965-1-1	12DEC95	DB	MM
		A	ADDED -2 PER EC 0020-1451-95	21 DEC 95	DH	MM
		B	REV PER EC 0020-54-96	05 FEB 96	CR	MRM
		C	REV PER EC 0020-118-96	15 FEB 96	KF	MM
		D	ADDED -3 PER EC 0020-135-96	15 FEB 96	KF	MM
		E	REV PER EC 020-197-96	26 FEB 96	DH	MM
		F	ADDED -4 PER EC 0020-387-96	18 APR 96	BC	MM
		G	ADDED -5 PER EC 0020-0482-96	10 MAY 96	CR	MRM
		H	REV PER EC 0320-27-97	29 JAN 97	CO	MM
		J	ADDED -7 THRU -12 PER EC 0320-28-97	20 AUG 97	BC	MM
		K	ADDED 1-3 PER EC 063B-0064-99	16 AUG 99	SW	RB



⚠ 2.54µm [.000100] MIN NICKEL OVER
2.54µm [.000100] MIN COPPER.



38.86 [1.530]	7.62-11.43 [.300-.450]	BULK	-	STAINLESS STEEL	1-213932-3
38.86 [1.530]	11.05-13.84 [.435-.545]	BULK	⚠	ZINC	1-213932-2
38.86 [1.530]	5.08-7.62 [.200-.300]	INDIVIDUAL	-	STAINLESS STEEL	1-213932-1
38.86 [1.530]	11.05-13.84 [.435-.545]	BULK	-	STAINLESS STEEL	1-213932-0
50.04 [1.970]	7.62-11.43 [.300-.450]	INDIVIDUAL	-	STAINLESS STEEL	213932-9
50.04 [1.970]	11.05-13.84 [.435-.545]	INDIVIDUAL	-	STAINLESS STEEL	213932-8
38.86 [1.530]	11.05-13.84 [.435-.545]	INDIVIDUAL	-	STAINLESS STEEL	213932-7
50.04 [1.970]	7.62-11.43 [.300-.450]	INDIVIDUAL	⚠	ZINC	213932-5
38.86 [1.530]	7.62-11.43 [.300-.450]	INDIVIDUAL	⚠	ZINC	213932-4
38.86 [1.530]	11.05-13.84 [.435-.545]	INDIVIDUAL	⚠	ZINC	213932-3
38.86 [1.530]	7.62-11.43 [.300-.450]	INDIVIDUAL	-	STAINLESS STEEL	213932-2
38.86 [1.530]	11.05-13.84 [.435-.545]	BULK	-	STAINLESS STEEL	213932-1
A	CABLE RANGE DIA	PACKAGING	FINISH	MATERIAL	PART NUMBER
			JACKSCREWS		

THIS DRAWING IS A CONTROLLED DOCUMENT AND IS UNPUBLISHED. IT IS SUBJECT TO CHANGE AND THE CONTROLLING ENGINEERING ORGANIZATION SHALL BE CONTACTED FOR THE LATEST REVISION.

DIMENSIONS: mm (INCHES)	TOLERANCES UNLESS OTHERWISE SPECIFIED:	DRAWN D. BROCKWAY 12DEC95	AMP Incorporated Harrisburg, PA 17105-3608
0 PLC ±.01	1 PLC ±.01	CHK C. DORWART 12DEC95	NAME CONNECTOR KIT, UNASSEMBLED, PLUG, 34 POSITION, M SERIES
2 PLC ±.01	3 PLC ±.01	APPV M. MCALONIS 13DEC95	
4 PLC ±.01	ANGLES ±.01	PRODUCT SPEC	SIZE A1
MATERIAL SEE CALLOUTS	FINISH SEE CALLOUTS	APPLICATION SPEC	CAGE CODE 00779
		WEIGHT	DRAWING NO C-213932
		CUSTOMER DRAWING	SCALE 2:1
			SHEET 1 OF 1
			REV K